

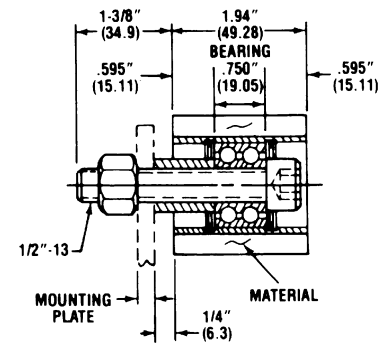
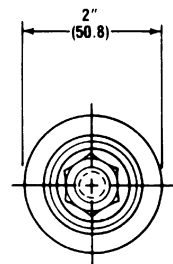
# Rollers – Solid 2" Dia.

Solid rollers have a flat surface and come in sizes from 1-1/2" to 4" in diameter.

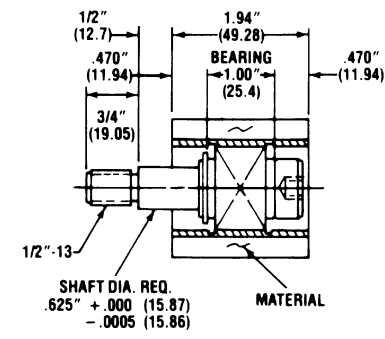
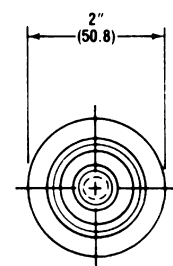


| ROLL COMPLETE |                    |           |                    |     |      |
|---------------|--------------------|-----------|--------------------|-----|------|
| CAD FILE NAME | PART NO.           | DUROMETER | MATERIAL AVAILABLE |     |      |
|               |                    |           | (STD)              | (W) | (UR) |
| ERR202RC      | ERR-2020-20 ( )-C* | 20        | X                  | X   |      |
|               | ERR-2020-35 ( )-C* | 35        | X                  | X   | X    |
|               | ERR-2020-60 ( )-C* | 60        | X                  | X   | X    |
|               | ERR-2020-80 ( )-C* | 80        | X                  | X   | X    |
|               | ERR-2020-95UR-C*   | 95        |                    |     | X    |

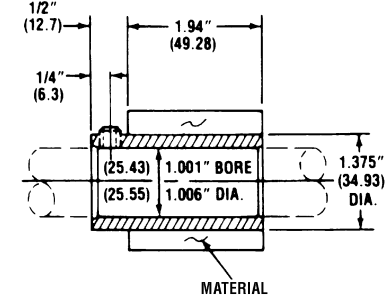
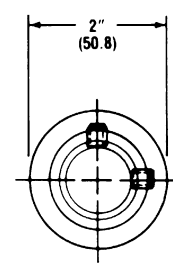
\* Add "P" for precision bearing or add "PC" for sealed precision bearing option.



| BRAKE ROLL RIGHT/LEFT |                     |           |                    |     |      |
|-----------------------|---------------------|-----------|--------------------|-----|------|
| CAD FILE NAME         | PART NO.            | DUROMETER | MATERIAL AVAILABLE |     |      |
|                       |                     |           | (STD)              | (W) | (UR) |
| EBR202                | EBR-2020-20 ( )-R/L | 20        | X                  | X   |      |
|                       | EBR-2020-35 ( )-R/L | 35        | X                  | X   | X    |
|                       | EBR-2020-60 ( )-R/L | 60        | X                  | X   | X    |
|                       | EBR-2020-80 ( )-R/L | 80        | X                  | X   | X    |
|                       | EBR-2020-95UR-R/L   | 95        |                    |     | X    |

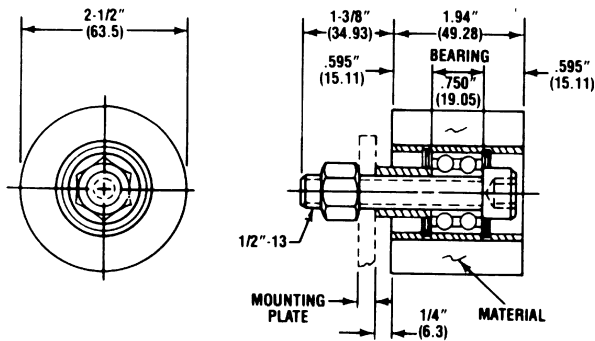


| EX10 (FOR 1" SHAFT DRIVE) |                      |           |                    |     |      |
|---------------------------|----------------------|-----------|--------------------|-----|------|
| CAD FILE NAME             | PART NO.             | DUROMETER | MATERIAL AVAILABLE |     |      |
|                           |                      |           | (STD)              | (W) | (UR) |
| ERR202E1                  | ERR-2020-20 ( )-EX10 | 20        | X                  | X   |      |
|                           | ERR-2020-35 ( )-EX10 | 35        | X                  | X   | X    |
|                           | ERR-2020-60 ( )-EX10 | 60        | X                  | X   | X    |
|                           | ERR-2020-80 ( )-EX10 | 80        | X                  | X   | X    |
|                           | ERR-2020-95UR-EX10   | 95        |                    |     | X    |



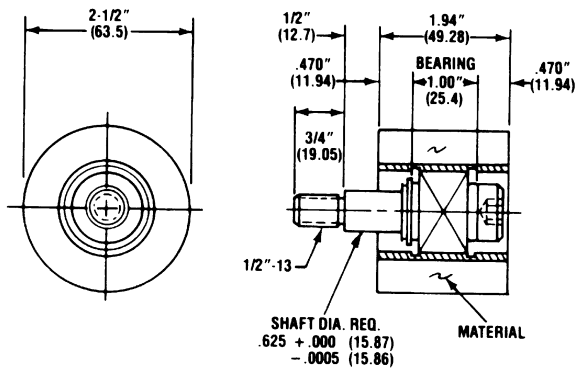
**Note:** ( ) Is the material to be specified to complete part number. When ordering, indicate your material selection into the part number after the durometer. Indicate nothing for black (STD), "W" for white or "UR" for urethane.

# Rollers – Solid 2-1/2" Dia.

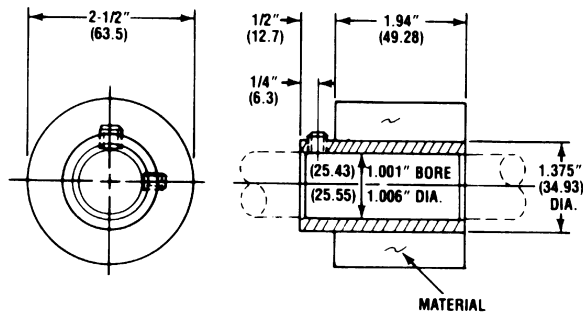


| ROLL COMPLETE |                   |           |                    |     |      |
|---------------|-------------------|-----------|--------------------|-----|------|
| CAD FILE NAME | PART NUMBER       | DUROMETER | MATERIAL AVAILABLE |     |      |
|               |                   |           | (STD)              | (W) | (UR) |
| ERR502C       | ERR-502-20 ( )-C* | 20        | X                  | X   |      |
|               | ERR-502-35 ( )-C* | 35        | X                  | X   | X    |
|               | ERR-502-60 ( )-C* | 60        | X                  | X   | X    |
|               | ERR-502-80 ( )-C* | 80        | X                  | X   | X    |
|               | ERR-502-95UR-C*   | 95        |                    |     | X    |
|               | ERR-325 ( )-C*    | 20        | SPONGE NEOPRENE    |     |      |

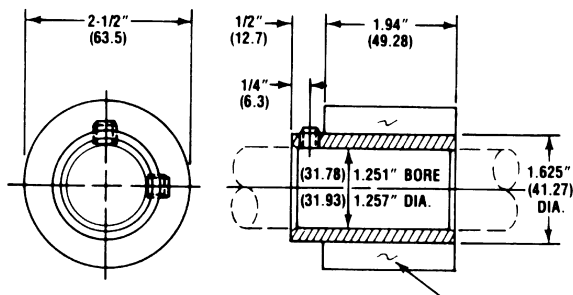
\* Add "P" for precision bearing or add "PC" for sealed precision bearing option.



| BRAKE ROLL RIGHT/LEFT |                    |           |                    |     |      |
|-----------------------|--------------------|-----------|--------------------|-----|------|
| CAD FILE NAME         | PART NUMBER        | DUROMETER | MATERIAL AVAILABLE |     |      |
|                       |                    |           | (STD)              | (W) | (UR) |
| EBR502                | EBR-502-20 ( )-R/L | 20        | X                  | X   |      |
|                       | EBR-502-35 ( )-R/L | 35        | X                  | X   | X    |
|                       | EBR-502-60 ( )-R/L | 60        | X                  | X   | X    |
|                       | EBR-502-80 ( )-R/L | 80        | X                  | X   | X    |
|                       | EBR-502-95UR-R/L   | 95        |                    |     | X    |
|                       | EBR-325 ( )-R/L    | 20        | SPONGE NEOPRENE    |     |      |



| EX10 (FOR 1" SHAFT DRIVE) |                     |           |                    |     |      |
|---------------------------|---------------------|-----------|--------------------|-----|------|
| CAD FILE NAME             | PART NUMBER         | DUROMETER | MATERIAL AVAILABLE |     |      |
|                           |                     |           | (STD)              | (W) | (UR) |
| ERR502E1                  | ERR-502-20 ( )-EX10 | 20        | X                  | X   |      |
|                           | ERR-502-35 ( )-EX10 | 35        | X                  | X   | X    |
|                           | ERR-502-60 ( )-EX10 | 60        | X                  | X   | X    |
|                           | ERR-502-80 ( )-EX10 | 80        | X                  | X   | X    |
|                           | ERR-502-95UR-EX10   | 95        |                    |     | X    |
|                           | ERR-325-EX10        | 20        | SPONGE NEOPRENE    |     |      |



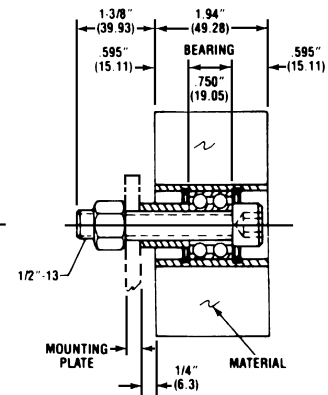
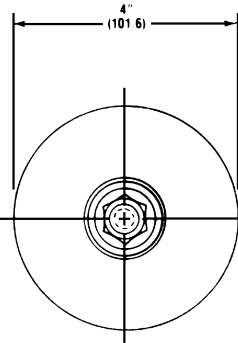
| EX12 (FOR 1-1/4" SHAFT DRIVE) |                     |           |                    |     |      |
|-------------------------------|---------------------|-----------|--------------------|-----|------|
| CAD FILE NAME                 | PART NUMBER         | DUROMETER | MATERIAL AVAILABLE |     |      |
|                               |                     |           | (STD)              | (W) | (UR) |
| ERR502E2                      | ERR-502-20 ( )-EX12 | 20        |                    |     |      |
|                               | ERR-502-35 ( )-EX12 | 35        |                    |     |      |
|                               | ERR-502-60 ( )-EX12 | 60        | X                  |     | X    |
|                               | ERR-502-95UR-EX12   | 95        |                    |     | X    |
|                               | ERR-502-80 ( )-EX12 | 80        |                    |     | X    |

**Note:** ( ) Is the material to be specified to complete part number. When ordering, indicate your material selection into the part number after the durometer. Indicate nothing for black (STD), "W" for white or "UR" for urethane.

Material Handling

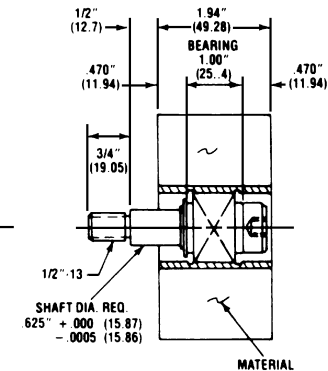
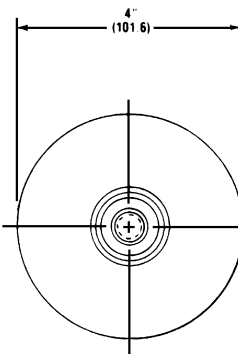
# Rollers – Solid 4" Dia.

| ROLL COMPLETE |                   |           |                    |     |      |
|---------------|-------------------|-----------|--------------------|-----|------|
| CAD FILE NAME | PART NUMBER       | DUROMETER | MATERIAL AVAILABLE |     |      |
|               |                   |           | (STD)              | (W) | (UR) |
| ERR754C       | ERR-754-20 ( )-C* | 20        | X                  | X   |      |
|               | ERR-754-35 ( )-C* | 35        | X                  | X   | X    |
|               | ERR-754-60 ( )-C* | 60        | X                  | X   | X    |
|               | ERR-754-80 ( )-C* | 80        | X                  | X   | X    |
|               | ERR-754-95UR-C*   | 95        |                    |     | X    |
|               | ERR-445 ( )-C*    | 20        | SPONGE NEOPRENE    |     |      |

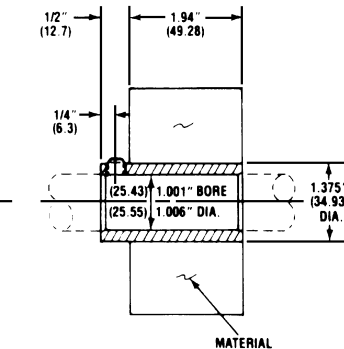
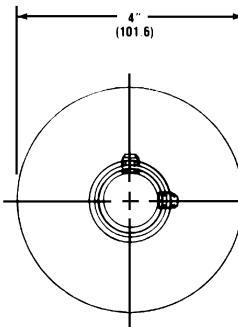


\* Add "P" for precision bearing or add "PC" for sealed precision bearing option.

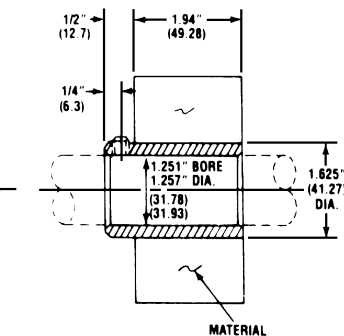
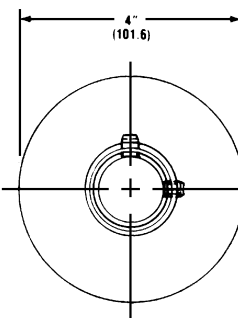
| BRAKE ROLL RIGHT/LEFT |                    |           |                    |     |      |
|-----------------------|--------------------|-----------|--------------------|-----|------|
| CAD FILE NAME         | PART NUMBER        | DUROMETER | MATERIAL AVAILABLE |     |      |
|                       |                    |           | (STD)              | (W) | (UR) |
| EBR754                | EBR-754-20 ( )-R/L | 20        | X                  | X   |      |
|                       | EBR-754-35 ( )-R/L | 35        | X                  | X   | X    |
|                       | EBR-754-60 ( )-R/L | 60        | X                  | X   | X    |
|                       | EBR-754-80 ( )-R/L | 80        | X                  | X   | X    |
|                       | EBR-754-95UR-R/L   | 95        |                    |     | X    |
|                       | EBR-445 ( )-R/L    | 20        | SPONGE NEOPRENE    |     |      |



| EX10 (FOR 1" SHAFT DRIVE) |                     |           |                    |     |      |
|---------------------------|---------------------|-----------|--------------------|-----|------|
| CAD FILE NAME             | PART NUMBER         | DUROMETER | MATERIAL AVAILABLE |     |      |
|                           |                     |           | (STD)              | (W) | (UR) |
| ERR754E1                  | ERR-754-20 ( )-EX10 | 20        | X                  | X   |      |
|                           | ERR-754-35 ( )-EX10 | 35        | X                  | X   | X    |
|                           | ERR-754-60 ( )-EX10 | 60        | X                  | X   | X    |
|                           | ERR-754-80 ( )-EX10 | 80        | X                  | X   | X    |
|                           | ERR-754-95UR-EX10   | 95        |                    |     | X    |
|                           | ERR-445 ( )-EX10    | 20        | SPONGE NEOPRENE    |     |      |



| EX12 (FOR 1-1/4" SHAFT DRIVE) |                     |           |                    |     |      |
|-------------------------------|---------------------|-----------|--------------------|-----|------|
| CAD FILE NAME                 | PART NUMBER         | DUROMETER | MATERIAL AVAILABLE |     |      |
|                               |                     |           | (STD)              | (W) | (UR) |
| ERR754E2                      | ERR-754-20 ( )-EX12 | 20        |                    |     |      |
|                               | ERR-754-35 ( )-EX12 | 35        | X                  |     |      |
|                               | ERR-754-60 ( )-EX12 | 60        | X                  | X   | X    |
|                               | ERR-754-80 ( )-EX12 | 80        |                    |     | X    |
|                               | ERR-754-95UR-EX12   | 95        |                    |     | X    |



**Note:** ( ) Is the material to be specified to complete part number. When ordering, indicate your material selection into the part number after the durometer. Indicate nothing for black (STD), "W" for white or "UR" for urethane.