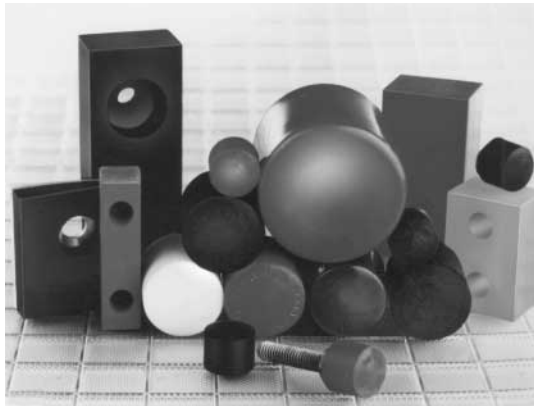


Bumpers – Round with Female Threads – 3/4" - 2-1/4" Dia.

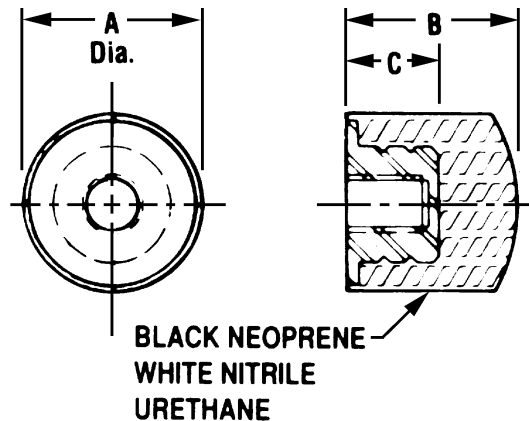


Rugged black neoprene, white nitrile or urethane bumpers are bonded to solid steel cores and are used to guard, stop, align, position or protect parts through each step of manufacturing. Bumpers are shipped from stock and are available in many standard sizes and shapes.



E&E SPECIAL PRODUCTS
7200 MILLER DRIVE
WARREN, MI 48092
E&ESP 586-978-3377 / 586-978-3378 FAX

Molded Round Bumpers with Female Thread



CAD FILE NAME	NEOPRENE BUMPER NUMBER	WHITE BUMPER NUMBER	URETHANE BUMPER NUMBER	DIA. A	LENGTH B	C	FEMALE THREAD
ERB516	ERB-516-024	—	ERB-516-024UR	3/4	5/8	3/8	10-24 x 1/4
	ERB-516-032	—	ERB-516-032UR	3/4	5/8	3/8	10-32 x 1/4
	ERB-516-120	—	ERB-516-120UR	3/4	5/8	3/8	1/4-20 x 1/4
	ERB-516-128	—	ERB-516-128UR	3/4	5/8	3/8	1/4-28 x 1/4
	ERB-516-45*	—	ERB-516-60-UR*	3/4	5/8	3/8	5/16 - 18 x 1/4
	ERB-516-70	ERB-516-70W	ERB-516-80-UR	3/4	5/8	3/8	5/16 - 18 x 1/4
	ERB-516-524	—	ERB-516-524UR	3/4	5/8	3/8	5/16-24 x 1/4
ERB3-8	ERB-3	ERB-3W	ERB-3-UR	1-1/4	1-1/4	3/4	3/8 - 16 x 1/2
	ERB-4	ERB-4W	ERB-4-UR	1-1/4	1-1/4	3/4	3/8 - 24 x 1/2
	ERB-5	ERB-5W	ERB-5-UR	1-1/4	1-1/4	3/4	1/2 - 13 x 1/2
	ERB-6	ERB-6W	ERB-6-UR	1-1/4	1-1/4	3/4	1/2 - 20 x 1/2
	ERB-7	ERB-7W	ERB-7-UR	1-1/4	1-1/4	3/4	7/16 - 20 x 1/2
	ERB-8	ERB-8W	ERB-8-UR	1-1/4	1-1/4	3/4	5/8 - 18 x 1/2
ERB9-10	ERB-9	ERB-9W	ERB-9-UR	1-3/4	1-5/8	7/8	5/8 - 11 x 5/8
	ERB-10	ERB-10W	ERB-10-UR	1-3/4	1-5/8	7/8	5/8 - 18 x 5/8
ERB12-14	ERB-12	ERB-12W	ERB-12-UR	2-1/4	2-1/4	1-3/8	3/4 - 10 x 1
	ERB-13	ERB-13W	ERB-13-UR	2-1/4	2-1/4	1-3/8	3/4 - 16 x 1
	ERB-14	ERB-14-W	ERB-14-UR	2-1/4	2-1/4	1-3/8	1 - 8 x 1

Black Neoprene 40-45 Durometer
White Nitrile 40-45 Durometer
Urethane 80-90 Durometer

* 516 Bumpers are 70 Neoprene & 80 Urethane
except 516-45 is 45 Durometer Neoprene and
516-60 UR is 60 Durometer Urethane.